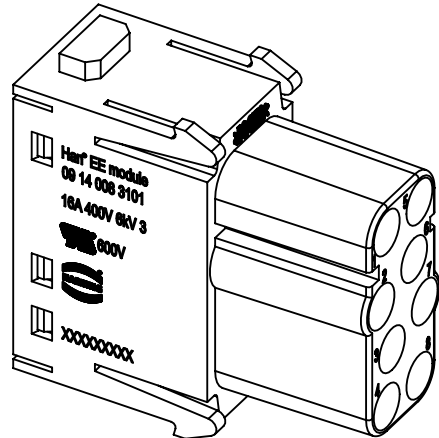
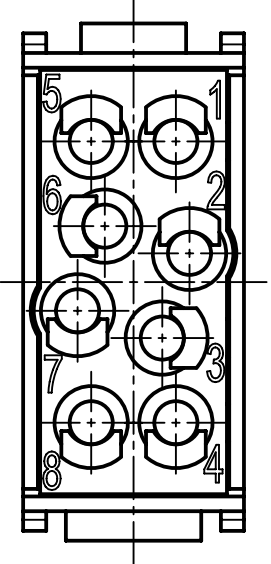
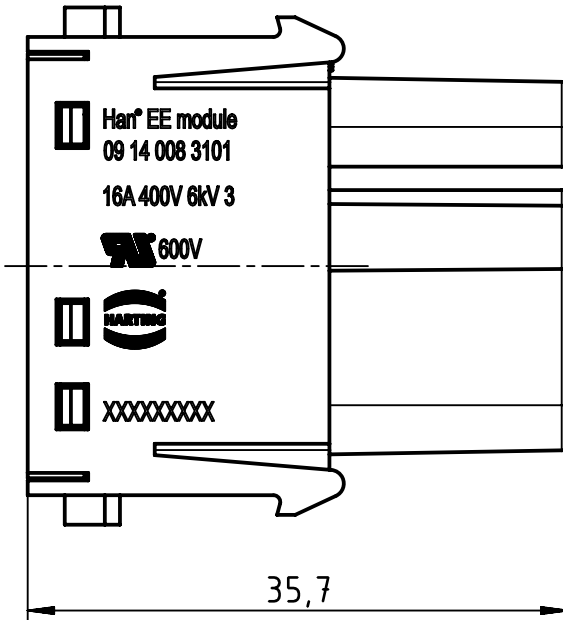
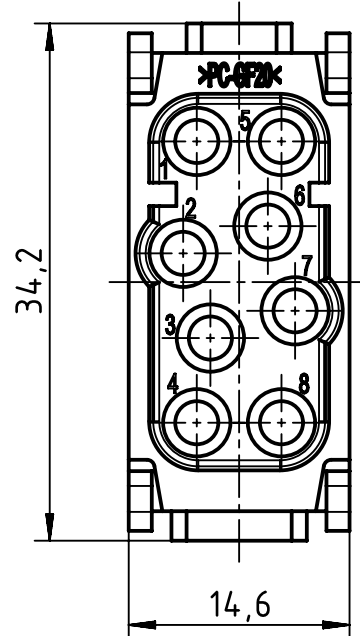


A

B

C

D



	All Dimensions in mm Original Size DIN A4		Scale 2:1	Free size tol.		Ref. Sub. TB 09 14 008 3101 v. 10.10.08	
		All rights reserved Department EL PD	Created by HELLMANN	Inspected by SCHNIEDER	Standardisation GARSKE	Date 2020-08-10	State Final Release
HARTING Electric GmbH & Co. KG D-32339 Espelkamp		Title Han EE module, crimp female			Doc-Key / ECM-Nr. 1001214.09/UGD/012/B 500000177548		
			Type TB	Number 09 14 008 3101		Rev. B	Page 1/1